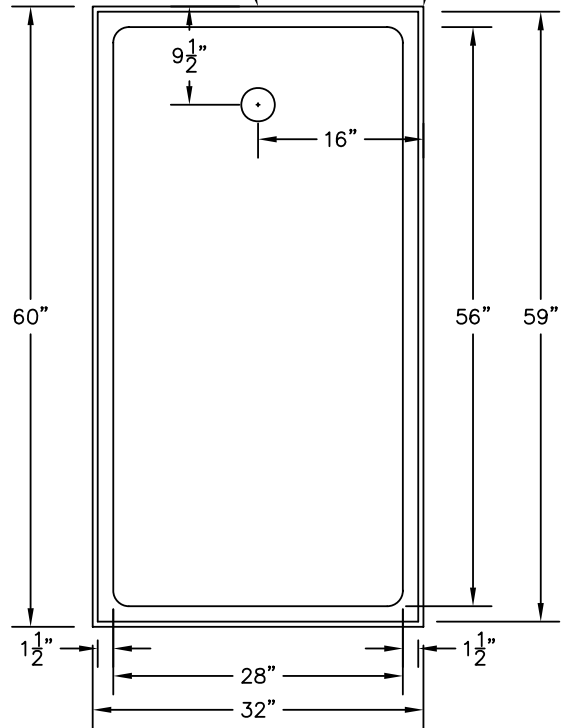


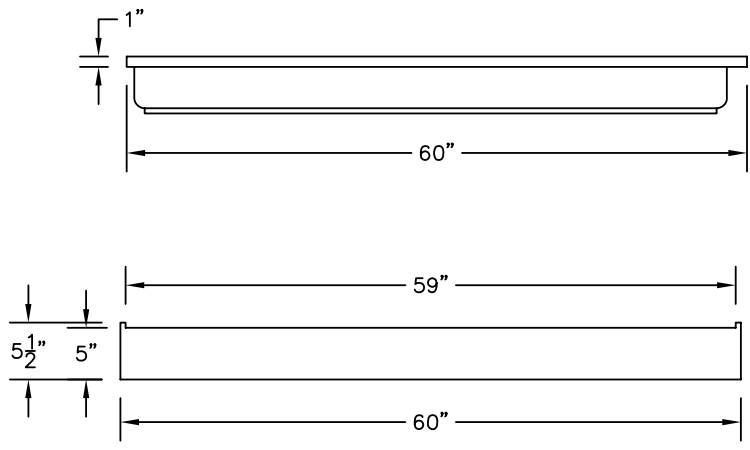
WEIGHT: 000 LBS.
 CAPACITY: 00 GALLONS
 NOTE: Not to Scale. All dimensions are based
 on manufacturers and industry standards
 of $\pm 3/8$ inch.

UPDATED: 07/07

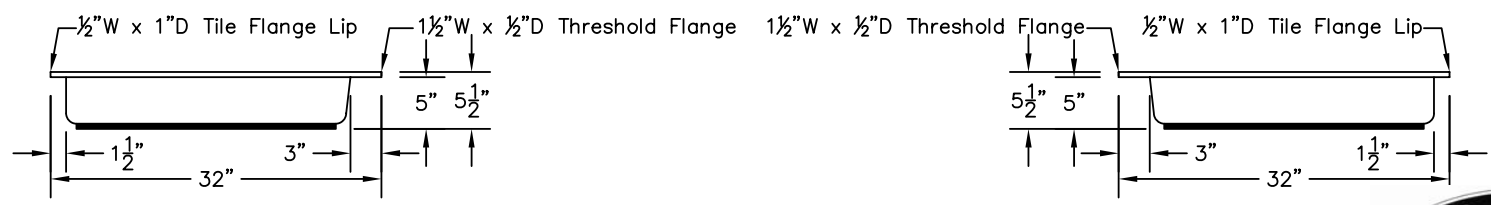
$\frac{1}{2}$ "W x 1"D Tile Flange Lip
 $1\frac{1}{2}$ "W x $\frac{1}{2}$ "D Threshold Flange



TOP VIEW



END VIEWS



SIDE VIEWS



60" x 32" SHOWER BASE